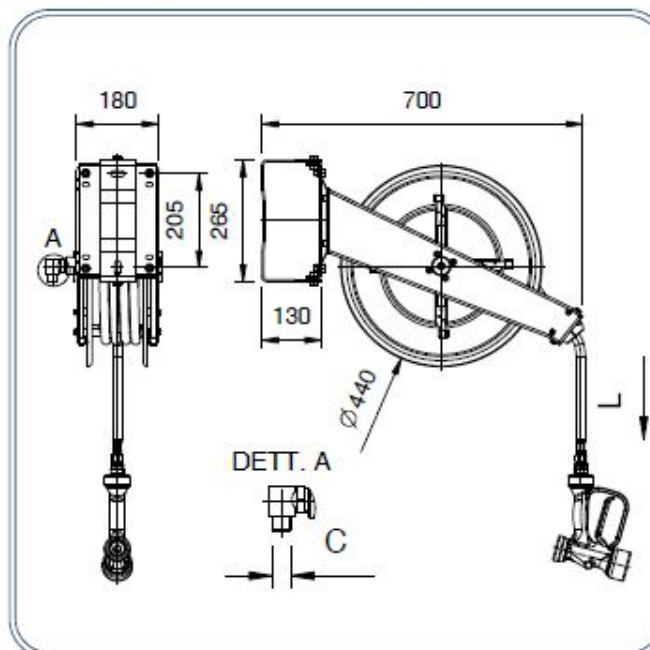


Avvolgibile aperto a parete

Wall mounted open reel



Specifiche tecniche - Specifications

Peso - Weight: 18,000 Kg.

| Dimensioni - Dimensions | | | | |
|-------------------------|---|---------|---------------|--------------|
| L (mt) | / | C (In) | Codice (Code) | Note (Notes) |
| 10 | / | G1/2" M | 00925210 | |
| 15 | / | G1/2" M | 00925215 | |
| 20 | / | G1/2" M | 00925220 | |



| Ricambi - Spare parts | | |
|-----------------------|---------------|--------------|
| Pos | Codice (Code) | Note (Notes) |
| 1 | R00925064 | |
| 2 (mt.10) | R31002272 | |
| 2 (mt.15) | R31002273 | |
| 2 (mt.20) | R31002274 | |