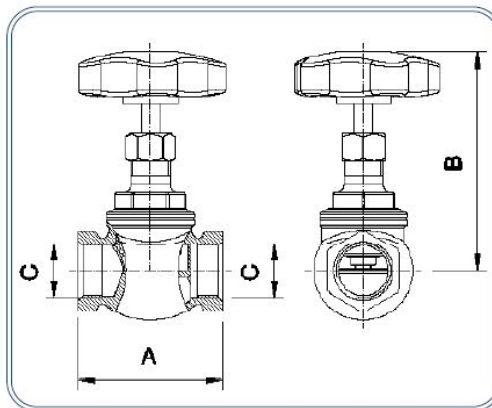


Valvola per vapore attacco dritto

Safety valve with straight connector



Specifiche tecniche - Specifications

Peso - Weight: code 01513003 0,410 Kg. code 01513004 0.600 Kg.

Peso - Weight: code 01513005 0,850 Kg. code 01513006 1.250 Kg.

Dimensioni - Dimensions

A (mm)	B (mm)	C (In)	Codice (Code)	Note (Notes)
58	85	G1/2" F	01513003	
70	95	G3/4" F	01513004	
80	110	G1" F	01513005	
95	130	G1"1/4 F	01513006	